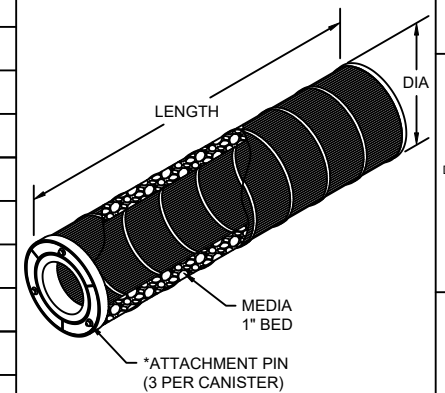


8	7	6	5	4	3	2	1		
✓	Model Number	Part Number	Dia x Length mm / inch	Rated Airflow m <sup>3</sup> /hr / ft <sup>3</sup> /min (16 cylinders)	Pressure Drop (+/-15%) Pa / In. WG	Nominal Weight kg / lbs.	Optimum Operating Temperature °C / °F	Optimum Operating RH %	CONSTRUCTION: 1. Cylinders shall be constructed of ABS plastic. 2. Gasket shall be double seal, molded TPE.
F	CCCG3500 ACIDS	M23000259	148x595 / 5.7x23.4	3400 / 2000	175 / 0.70	3.8 / 8.4	10-60 / 50-140	40-90	<b>NOTES:</b> 1. Pressure drop is per rated airflow for quantity sixteen (16) cylinders on a 610mm x 610mm / 24"x24" (nominal) opening. 2. Cylinders should not be used in conditions above 60°C / 140°F or below -21°C / -5.8°F. 3. See drawing 2126-002 for the same CamCarb Cylinders in stainless steel.
	CCCG3500 ACIDS_NO2	M23000380	148x595 / 5.7x23.4	3400 / 2000	175 / 0.70	3.8 / 8.4	10-60 / 50-140	40-90	
	CCCG3500 ACIDS_H2S	M23000279	148x595 / 5.7x23.4	3400 / 2000	175 / 0.70	5.7 / 12.6	10-60 / 50-140	40-90	
E	CCCG3500 ALDEHYDES	M23000410	148x595 / 5.7x23.4	3400 / 2000	175 / 0.70	5.7 / 12.6	10-60 / 50-140	40-90	
	CCCG3500 BASES	M23000260	148x595 / 5.7x23.4	3400 / 2000	175 / 0.70	3.8 / 8.4	10-60 / 50-140	40-90	
	CCCG3500 ETHYLENE	M23000411	148x595 / 5.7x23.4	3400 / 2000	175 / 0.70	5.7 / 12.6	10-60 / 50-140	40-90	
	CCCG3500 DECONTAMINATE	M23000414	148x595 / 5.7x23.4	3400 / 2000	165 / 0.66	3.7 / 8.2	Max. 40 / Max. 104	0-70	
	CCCG3500 H2S_MERCAPTANS	M23000378	148x595 / 5.7x23.4	3400 / 2000	175 / 0.70	3.8 / 8.4	10-60 / 50-140	40-90	
	CCCG3500 O3	M23000413	148x595 / 5.7x23.4	3400 / 2000	165 / 0.66	3.7 / 8.2	Max. 40 / Max. 104	0-70	
	CCCG3500 SO2_H2S	M23000268	148x595 / 5.7x23.4	3400 / 2000	175 / 0.70	5.7 / 12.6	10-60 / 50-140	40-90	
	CCCG3500 TERPENES	M23000430	148x595 / 5.7x23.4	3400 / 2000	165 / 0.66	3.7 / 8.2	Max. 40 / Max. 104	0-70	
D	CCCG3500 VOC	M23000258	148x595 / 5.7x23.4	3400 / 2000	175 / 0.70	3.8 / 8.4	Max. 40 / Max. 104	0-70	
	CCCG3500 VOC_ALDEHYDES	M23000412	148x595 / 5.7x23.4	3400 / 2000	175 / 0.70	4.8 / 10.6	Max. 40 / Max. 104	40-70	
	CCCG3500 VOC_H2S_SO2	M23000281	148x595 / 5.7x23.4	3400 / 2000	175 / 0.70	4.8 / 10.6	Max. 40 / Max. 104	40-70	
	CCCG3500 VOC_O3_ACID_H2S	M23000387	148x595 / 5.7x23.4	3400 / 2000	175 / 0.70	4.7 / 10.4	Max. 40 / Max. 104	40-70	
	CCCG3500 VOC_O3_H2S_SO2	M23000375	148x595 / 5.7x23.4	3400 / 2000	175 / 0.70	4.7 / 10.4	10-60 / 50-140	40-90	
C	CCCG3500 VOC_O3_NO2_SO2	M23000323	148x595 / 5.7x23.4	3400 / 2000	165 / 0.66	3.7 / 8.2	Max. 40 / Max. 104	0-70	



**CUSTOMER APPROVAL BLOCK**

CUSTOMER \_\_\_\_\_

CUSTOMER PO \_\_\_\_\_

YOUR APPROVAL OF THIS PRINT AUTHORIZES CAMFIL TO PROCEED WITH MATERIAL PROCUREMENT, TOOLING AND PRODUCT FABRICATION. ANY CHANGES MADE AFTER APPROVAL MAY INCUR FURTHER EXPENSES TO THE CUSTOMER

SIGNATURE / DATE \_\_\_\_\_



© Camfil <http://www.camfil.us>

DESCRIPTION:  
CamCarb CCCG3500  
Cylindrical Molecular Filters

APPROVED BY:	DATE:	DRAWN BY:	DATE:
TLC	7/24/20	GDM	7/24/20
SHEET	DRAWING NUMBER		REV.
1 of 1	2112-001		B